

GENERAL NOTES:

1. ALL PROJECT WORK IS TO BE COMPLETED IN ACCORDANCE WITH THE MOST UP TO DATE ONTARIO BUILDING CODE (IF APPLICABLE).
2. ALL DIMENSIONS ARE TO BE VERIFIED ON SITE. DO NOT SCALE THESE DRAWINGS.
3. ANY DISCREPANCIES MUST BE BROUGHT TO THE ATTENTION OF THE TORONTO ZOO.
4. CONTRACTORS MUST ADHERE TO TORONTO ZOO POLICIES AND OH&S ACT AT ALL TIMES WHEN ON ZOO PROPERTY.
5. CONTRACTORS ARE TO CHECK IN AND OUT AT SECURITY EVERY TIME THEY ARE ENTERING OR EXITING ZOO PROPERTY.
6. ADJACENT AREAS MUST BE PROTECTED DURING SITE WORK, DELIVERY, PLACEMENT AND INSTALLATION OF THE NEW BUILDING.
7. CONTRACTORS ARE TO MAKE GOOD ANY DAMAGES INFLICTED BY THEIR WORK TO ADJACENT AREAS UPON COMPLETION OF THIS PROJECT.
8. THE CONTRACTOR IS RESPONSIBLE FOR THE SUPPLY AND INSTALLATION OF ANY MATERIALS NOT SPECIFICALLY DRAWN OR DESCRIBED BUT REASONABLY IMPLIED AND NECESSARY FOR COMPLETION OF WORK WITHOUT ADDITIONAL COSTS UNDER HIS OR HER CONTRACT.

DRAWING LIST:

- 1 A0.00 GENERAL NOTES, DRAWING LIST AND KEY PLAN
- 2 A1.01 EXISTING FLOOR PLAN
- 3 A1.02 PROPOSED FLOOR PLAN
- 4 A2.01 CONCRETE WALL (W2) & TRAINING WINDOW
- 5 A2.02 STEEL FRAME WALL (W1)
- 6 A2.03 EXISTING PALISADE CONSTRUCTION



**361A OLD FINCH AVE.
TORONTO, ON
M1B 5K7**

| NO. | DESCRIPTION | DATE |
|-----|-------------|------------|
| 0 | FOR TENDER | 2018.07.25 |

| NO. | REVISIONS | DATE |
|-----|-----------|------|
|-----|-----------|------|



**PALISADE
REPLACEMENT AT
PYGMY HIPPO &
RED RIVER HOG**

REVIEWED BY
MANAGER:
DATE:
CURATOR:
DATE:
APPROVED BY
COO:
DATE:

**GENERAL NOTES, DRAWING
LIST & KEY PLAN**

PROJECT #: 180P01
DRAWN BY: DG
CHECKED BY: JJ
DATE: 2018.05.08
SCALE: NTS
DRAWING #:

A0.00



| NO. | DESCRIPTION | DATE |
|-----|-------------|------------|
| 0 | FOR TENDER | 2018.07.25 |

| NO. | REVISIONS | DATE |
|-----|-----------|------|
|-----|-----------|------|

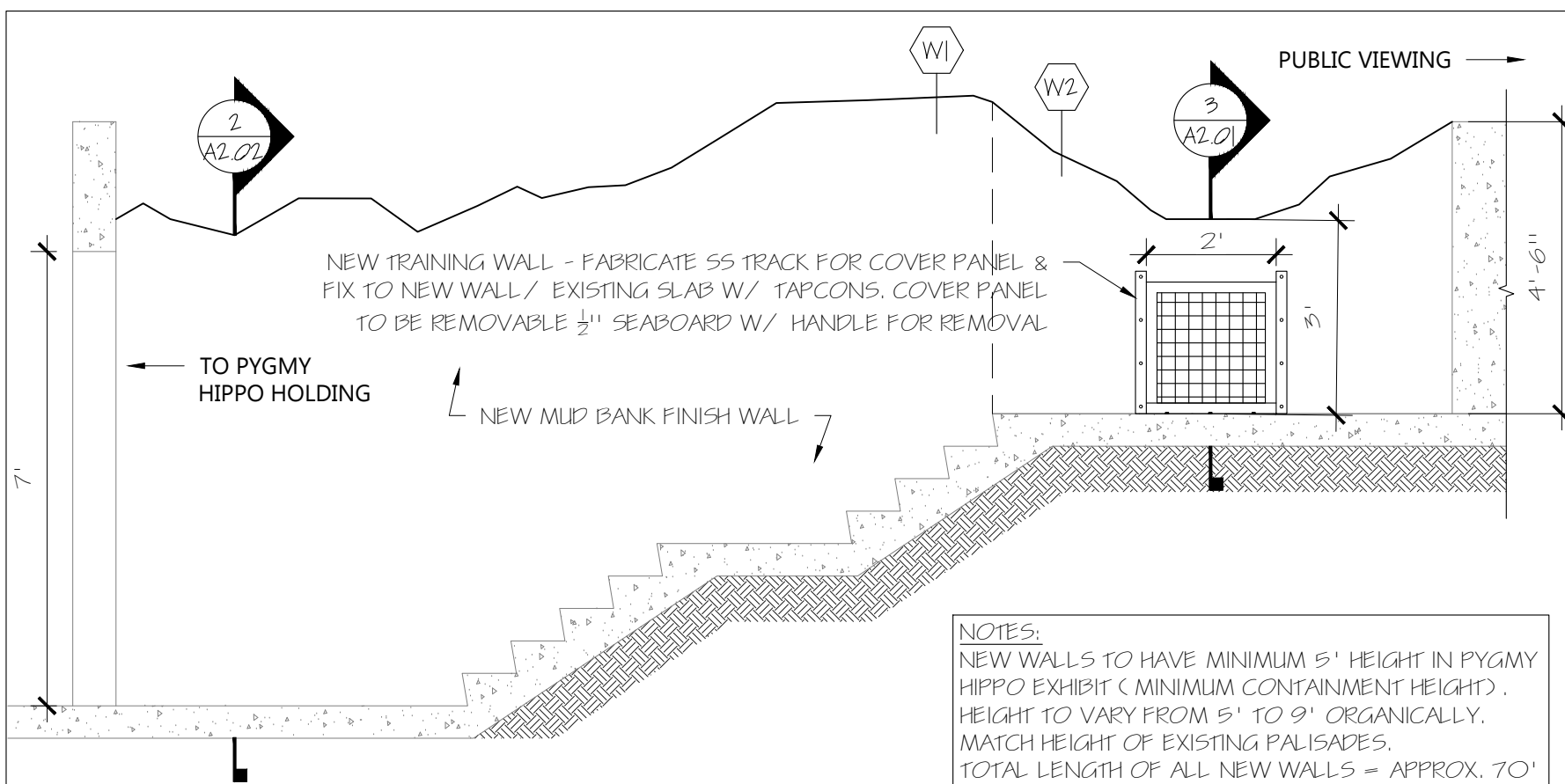
PALISADE REPLACEMENT AT PYGMY HIPPO & RED RIVER HOG

REVIEWED BY
MANAGER:
DATE:
CURATOR:
DATE:
APPROVED BY
COO:
DATE:

CONCRETE WALL (W2) & TRAINING WINDOW

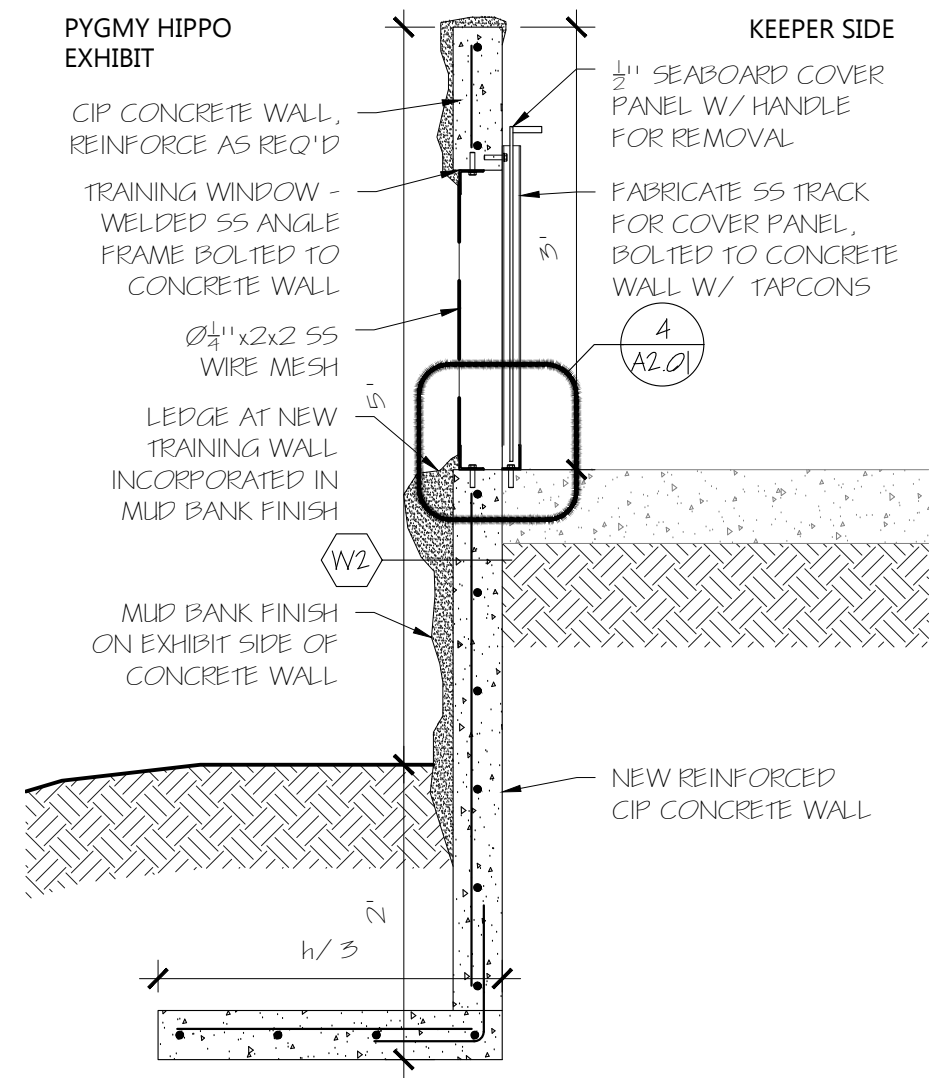
PROJECT #: 18OP01
DRAWN BY: DG
CHECKED BY: JJ
DATE: 2018.05.08
SCALE: AS SHOWN

DRAWING #:
A2.01

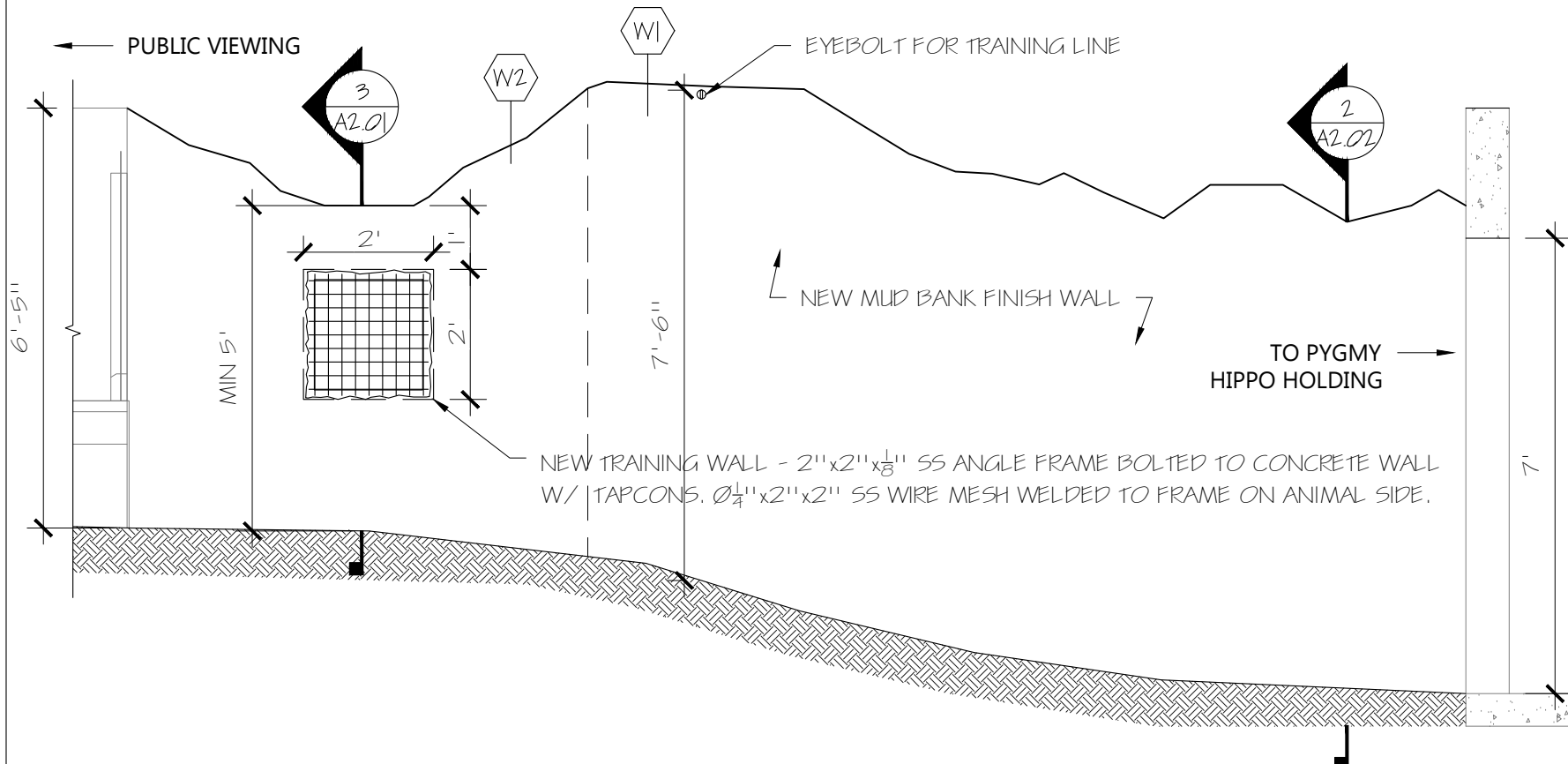


NOTES:
NEW WALLS TO HAVE MINIMUM 5' HEIGHT IN PYGMY HIPPO EXHIBIT (MINIMUM CONTAINMENT HEIGHT). HEIGHT TO VARY FROM 5' TO 9' ORGANICALLY. MATCH HEIGHT OF EXISTING PALISADES. TOTAL LENGTH OF ALL NEW WALLS = APPROX. 70'

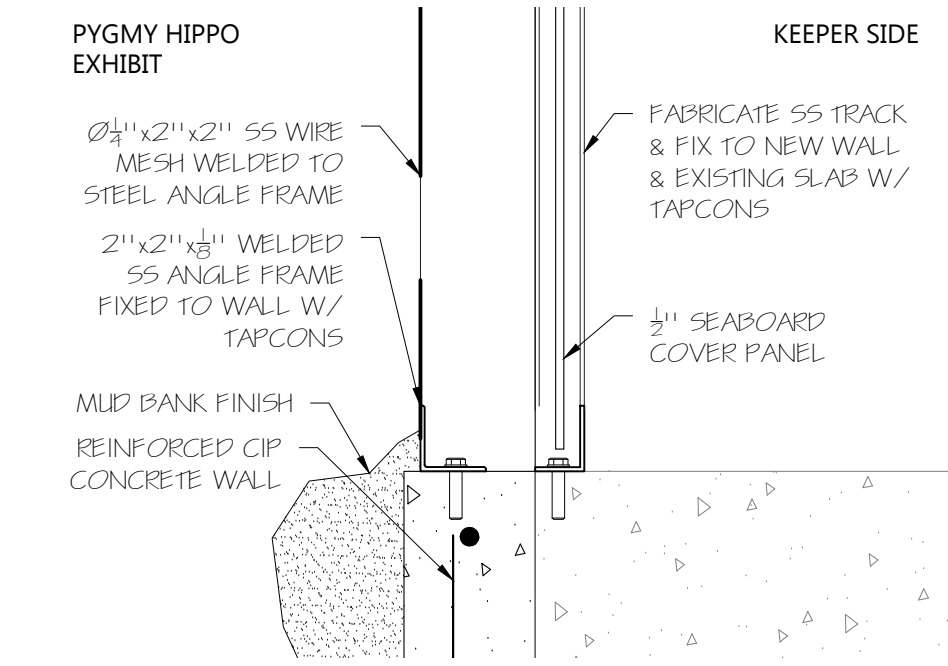
1 ELEVATION - KEEPER SIDE
SCALE: 3/8" = 1'-0"



3 SECTION AT TRAINING WALL
SCALE: 3/4" = 1'-0"



2 ELEVATION - EXHIBIT SIDE
SCALE: 3/8" = 1'-0"



4 TRAINING WALL DETAIL
SCALE: 2" = 1'-0"

| NO. | DESCRIPTION | DATE |
|-----|-------------|------------|
| 0 | FOR TENDER | 2018.07.25 |

| NO. | REVISIONS | DATE |
|-----|-----------|------|
|-----|-----------|------|

**PALISADE
REPLACEMENT AT
PYGMY HIPPO &
RED RIVER HOG**

REVIEWED BY
MANAGER:
DATE:
CURATOR:
DATE:
APPROVED BY
COO:
DATE:

**EXISTING PALISADE
CONSTRUCTION**

PROJECT #: 18OP01
DRAWN BY: DG
CHECKED BY: JJ
DATE: 2018.05.08
SCALE: 1/2" = 1'-0"
DRAWING #:

A2.03

